

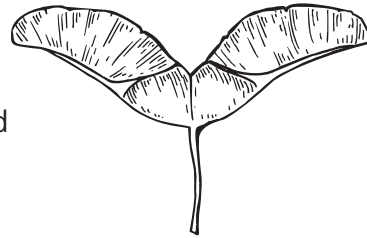
handout

Helicopter Seed Toy

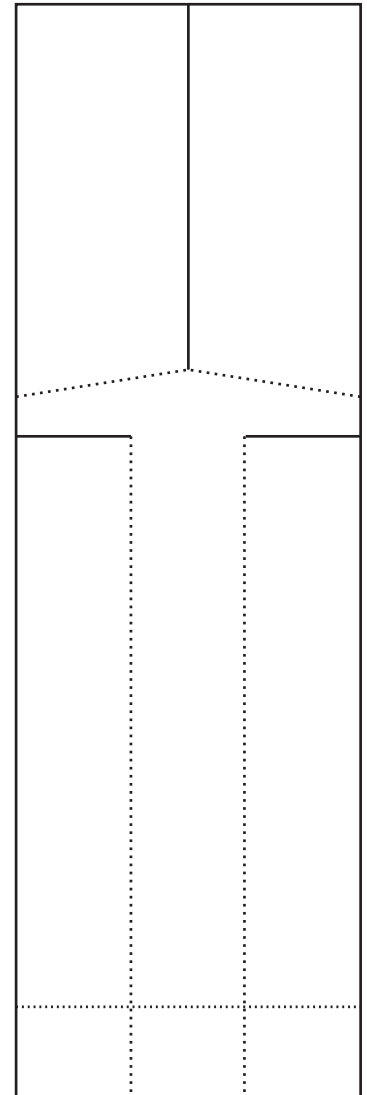
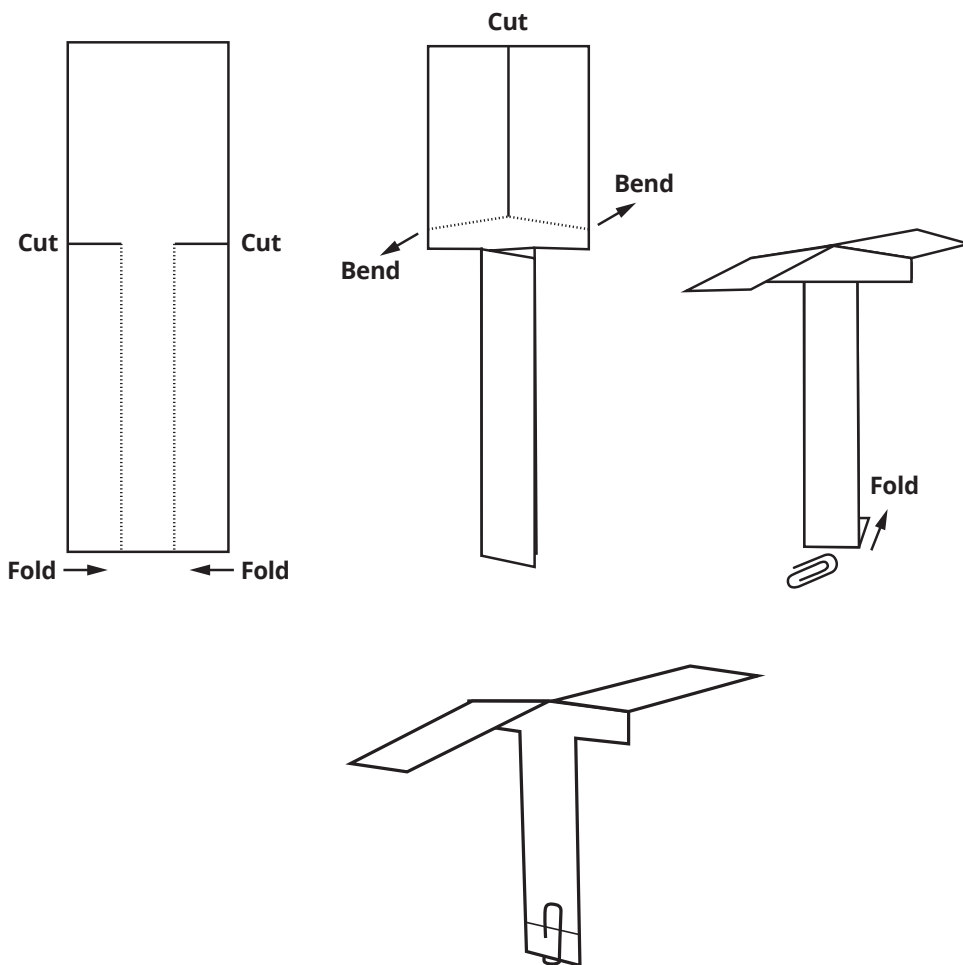


Exploring your world,
one mission at a time
pbskids.org/plumlanding

1. Cut on the SOLID lines.
2. Fold on the DOTTED lines. Fold one seed wing forward and the other backward. Fold the two side flaps on the bottom into the center.
3. Fold the bottom flap up and add a paper clip to keep it in place.
4. To launch, hold the copter by the paper clip and drop it.



Maple Seed



CONNECT WITH US



PLUM LANDING is produced
by WGBH Boston

MAJOR FUNDING



THE
Kendeda
FUND

Major Funding is provided by the National Science
Foundation and The Kendeda Fund: furthering the
values that contribute to a healthy planet

This PLUM LANDING material is based upon work supported by the National Science Foundation under Grant No. DRL-1516466. Any opinions, findings, and conclusions or recommendations expressed in this material are those of the author(s) and do not necessarily reflect the views of the National Science Foundation.

TM/© 2017 WGBH Educational Foundation.